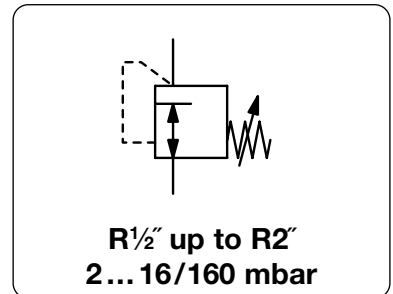


Description	Highly sensitive low pressure regulator with inlet pressure compensation for high precision regulation. Zero shut-off prevents outlet pressure from increasing.	
Media	compressed air or non-corrosive gases, dryly biogas H ₂ S < 200 ppm	
Supply pressure	max. 400 mbar	
Air consumption	without constant bleed	
Adjustment	manual by turning the spindle under the cover of the spring cage	
Relieving function	non-relieving	
Accuracy	at maximum volume flow: < 20% FS pressure deviation	
Gauge port	none as standard, optionally gauge port G $\frac{1}{4}$ on one side from size R $\frac{3}{4}$ " on	
Mounting position	any, preferably bonnet upwards	
Temperature range	-20 °C to 70 °C / -4 °F to 158 °F	
Material	Body: aluminium Elastomer: NBR/Buna-N	Inner valve: aluminium and plastic



Dimensions			Nominal size	K _v -value	Flow rate	Connection thread	Pressure range	Order number
A	B	C	DN	(m ³ /h)	m ³ /h*1	l/min*1	R	mbar

Low pressure regulator									supply pressure max. 400 mbar, non-relieving	RGDJ
100	120	30	15	0.66	12	200	1/2"	2 ... 16	RGDJ-04A	
								10 ... 20	RGDJ-04B	
								16 ... 28	RGDJ-04C	
								22 ... 40	RGDJ-04D	
								40 ... 55	RGDJ-04E	
125	166	34	20	1.49	27	450	3/4"	5 ... 15	RGDJ-06A	
								12 ... 25	RGDJ-06B	
								22 ... 35	RGDJ-06C	
								30 ... 50	RGDJ-06D	
								45 ... 65	RGDJ-06E	
								60 ... 80	RGDJ-06G	
								75 ... 100	RGDJ-06I	
								100 ... 160	RGDJ-06L	
125	166	34	25	2.6	51	850	1"	pressure range see R3/4	RGDJ-08.	
155	194	45	40	4.9	90	1500	1 1/2"	5 ... 15	RGDJ-12A	
								12 ... 25	RGDJ-12B	
								22 ... 35	RGDJ-12C	
								30 ... 50	RGDJ-12D	
								45 ... 65	RGDJ-12E	
								60 ... 80	RGDJ-12G	
								75 ... 100	RGDJ-12I	
								100 ... 160	RGDJ-12L	
200	219	52	50	6.6	120	2000	2"	5 ... 15	RGDJ-16A	
								12 ... 25	RGDJ-16B	
								22 ... 35	RGDJ-16C	
								30 ... 50	RGDJ-16D	
								45 ... 65	RGDJ-16E	
								60 ... 80	RGDJ-16G	
								75 ... 100	RGDJ-16I	

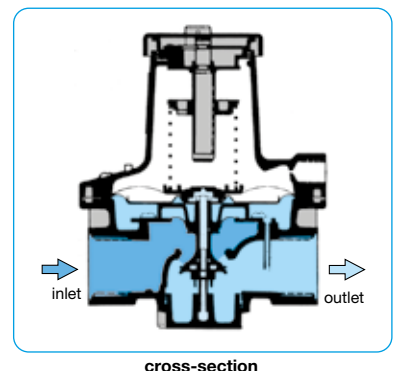
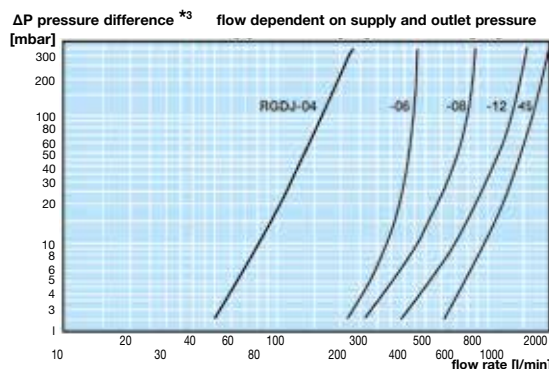
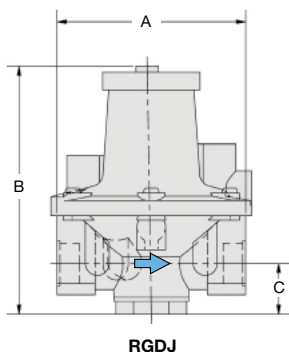


Special options, add the appropriate letter

Connection thread G $\frac{1}{4}$	for pressure gauge	not for R $\frac{1}{2}$ "	RGDJ - . . . M
-----------------------------------	--------------------	---------------------------	----------------

Accessories, enclosed

pressure gauge	Ø 63 mm, 0...*2 mbar, G $\frac{1}{4}$	from R $\frac{3}{4}$ "	MA6302-..*2
----------------	---------------------------------------	------------------------	-------------



*1 at 350 mbar supply pressure and 100 mbar outlet pressure
 *2 B6 = 0...60 mbar, C2 = 0...160 mbar
 *3 Δp = P₁ - P₂, difference between supply and outlet pressure

* Product group
Order example: RGDJ-04A

Gauges: see chapter for measuring devices

PDF CAD
www.aircom.net